

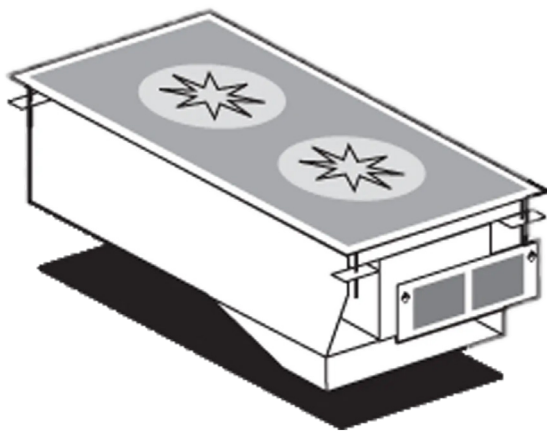
Technical data sheet

Product features



Cooking range induction digital 2 zones

Model	SAP Code	00013592
--------------	-----------------	----------



- Device type: Electric unit
- Power consumption of the zone 1 [kW]: 5
- Power consumption of the zone 2 [kW]: 5
- Protection of controls: IPX5
- Material: Stainless steel

SAP Code	00013592	Loading	400 V / 3N - 50 Hz
Net Width [mm]	400	Number of zones	2
Net Depth [mm]	800	Power consumption of the zone 1 [kW]	5
Net Height [mm]	310	Power consumption of the zone 2 [kW]	5
Net Weight [kg]	20.00	Ceramic glass dimensions [mm x mm]	350 x 770
Power electric [kW]	10.000		

Technical data sheet

Technical drawing

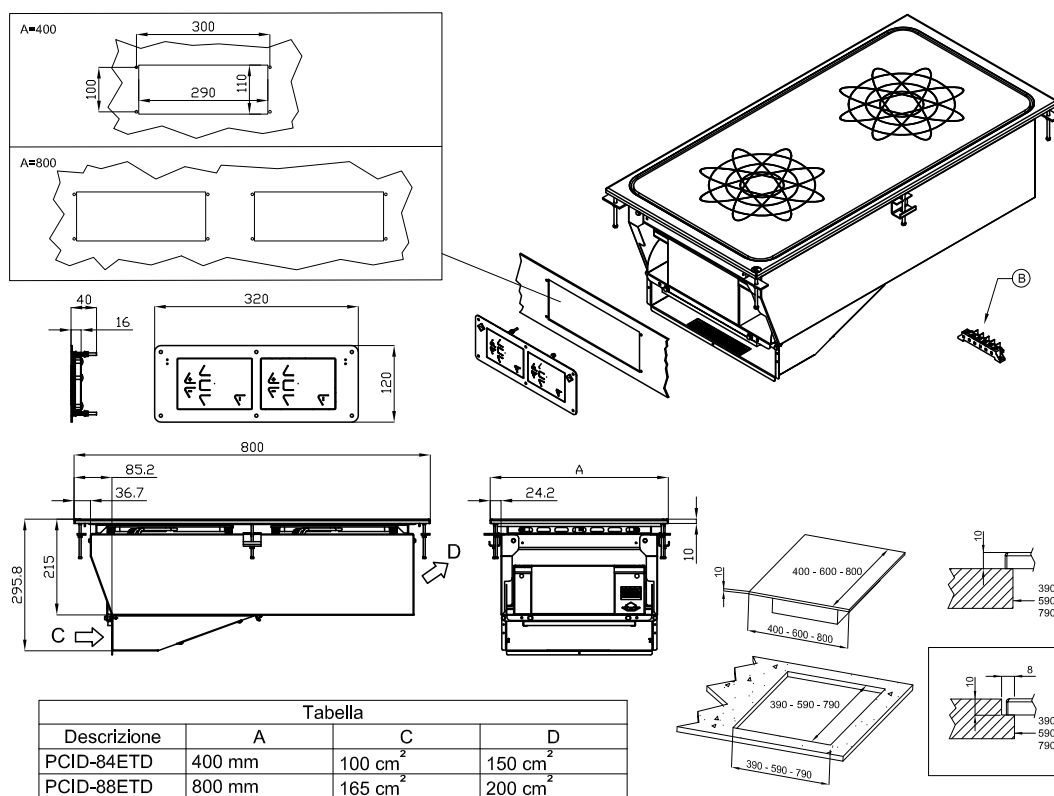


Cooking range induction digital 2 zones

Model

SAP Code

00013592



A	Data plate		B	Electrical connection	
---	------------	--	---	-----------------------	--

Technical data sheet

Technical parameters



Cooking range induction digital 2 zones

Model

SAP Code

00013592

1. SAP Code:

00013592

2. Net Width [mm]:

400

3. Net Depth [mm]:

800

4. Net Height [mm]:

310

5. Net Weight [kg]:

20.00

6. Gross Width [mm]:

430

7. Gross depth [mm]:

970

8. Gross Height [mm]:

540

9. Gross Weight [kg]:

25.00

10. Device type:

Electric unit

11. Construction type of device:

Drop-in

12. Power electric [kW]:

10.000

13. Loading:

400 V / 3N - 50 Hz

14. Protection of controls:

IPX5

15. Material:

Stainless steel

16. Worktop type:

Molded - comfortable cleaning maintenance

17. Worktop material:

AISI 304

18. Worktop Thickness [mm]:

2.00

19. Number of zones:

2

20. Power consumption of the zone 1 [kW]:

5

21. Power consumption of the zone 2 [kW]:

5

22. Power control type:

digital

23. Number of power control stages:

6

24. Service accessibility:

From the front by removing the front panel and waste fluid containers

25. Number of burners/hot plates:

2

26. Type of electric cooking zones:

Induction

27. Ceramic glass dimensions [mm x mm]:

350 x 770